

Title: **Tell el-Retaba 2009: the pottery**

Author(s): Anna Wodzińska

Journal: *Polish Archaeology in the Mediterranean* 21 (Research 2009)

Year: 2012

Pages: 124-133

ISSN 1234-5415 (Print), ISSN 2083-537X (Online)

ISBN 978-83-235-1144-1

Publishers: Polish Centre of Mediterranean Archaeology, University of Warsaw (PCMA UW),  
Wydawnictwa Uniwersytetu Warszawskiego (WUW)

[www.pcma.uw.edu.pl](http://www.pcma.uw.edu.pl) - [www.wuw.pl](http://www.wuw.pl)

---

**TELL EL-RETABA 2009:  
THE POTTERY**

**Anna Wodzińska**

Institute of Archaeology, University of Warsaw

**Abstract:** Pottery from excavations by the Polish-Slovak Archaeological Mission in 2009 can be dated to the New Kingdom (early Eighteenth, late Eighteenth and Nineteenth Dynasties), the Third Intermediate and Late Periods. Ceramic vessels from the early Eighteenth Dynasty, rims and bases of wine amphorae, so-called "meat jars", red slipped bowls, came from area 3. Large amphorae made of marl clay, dated to the late Eighteenth and Nineteenth Dynasties, served as child coffins. The richest ceramic material came from strata of the Third Intermediate Period houses. Some pots were found in uppermost excavated layers – Late Period domestic contexts. The pottery from the Late Period was locally produced with some exceptions – vessels transported from Greek Islands and Cyprus and Syro-Palestine.

**Keywords:** Tell el-Retaba, pottery, New Kingdom, early and late Eighteenth Dynasty, Nineteenth Dynasty, Third Intermediate Period, Late Period, wine amphorae, "meat jars", Cyprus, Chios

# TELL EL-RETABA 2009: THE POTTERY

Anna Wodzińska

Institute of Archaeology, University of Warsaw

**Abstract:** Pottery from excavations by the Polish–Slovak Archaeological Mission in 2009 can be dated to the New Kingdom (early Eighteenth, late Eighteenth and Nineteenth Dynasties), the Third Intermediate and Late Periods. Ceramic vessels from the early Eighteenth Dynasty, rims and bases of wine amphorae, so-called “meat jars”, red slipped bowls, came from area 3. Large amphorae made of marl clay, dated to the late Eighteenth and Nineteenth Dynasties, served as child coffins. The richest ceramic material came from strata of the Third Intermediate Period houses. Some pots were found in uppermost excavated layers — Late Period domestic contexts. The pottery from the Late Period was locally produced with some exceptions — vessels transported from Greek Islands and Cyprus and Syro-Palestine.

**Keywords:** Tell el-Retaba, pottery, New Kingdom, early and late Eighteenth Dynasty, Nineteenth Dynasty, Third Intermediate Period, Late Period, wine amphorae, “meat jars”, Cyprus, Chios

Pottery found during the third season of the Polish–Slovak Archaeological Mission (see Rzepka *et alii* 2012, in this volume) can be dated to the New Kingdom and the Third

Intermediate Period with some vessels representing the Late Period. The mission explored three areas: 3, 4 and 5, recording altogether 3998 diagnostic fragments.

## NEW KINGDOM: EARLY–MID EIGHTEENTH DYNASTY

Pottery of early New Kingdom date was discovered in and near mud-brick structures in the lowermost excavated strata of area 3 and in area 4 near the northern face of the southern enclosure wall.

Approximately 10% of the ceramics from area 3 was made of marl fabrics, especially Marl D. Cream-slipped bases and handles of large wine amphorae represented Marl D [*Fig. 1*].

The shape of the handle and body of the vessel is reminiscent of amphorae from the mid Eighteenth Dynasty, probably the time of Hatshepsut–Tuthmosis III (Hope 1989: Fig. 1, category 1a). Parallels with material published by D. Aston shows that the Tell el-Retaba amphora can be dated to the early(?) years of Tuthmosis III (Aston 2004: 188, Fig. 6c) through Amenophis II (Aston 2004: 189, Fig. 7a).

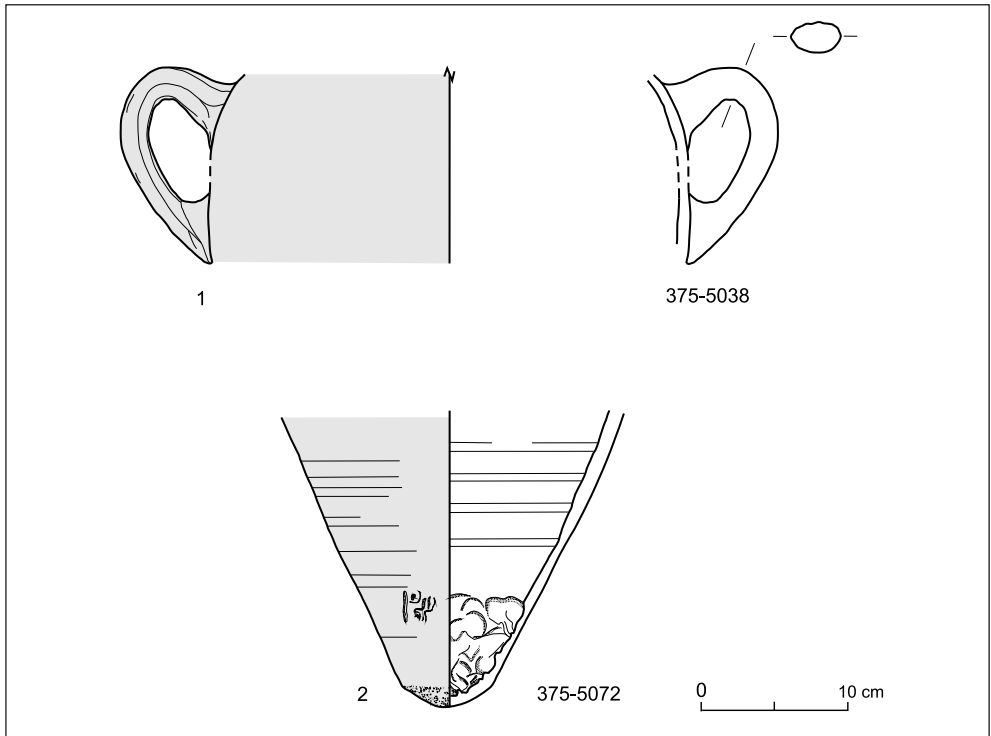


Fig. 1. Fragments of wine amphorae made of Marl D, early Eighteenth Dynasty<sup>1</sup>

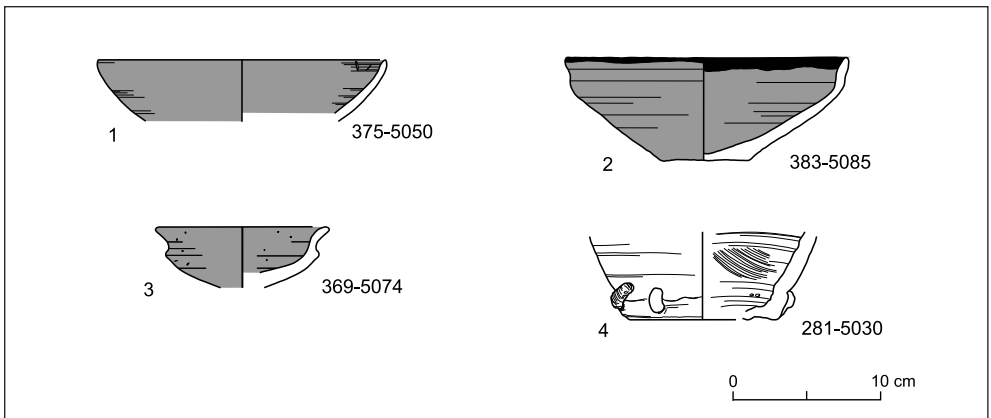


Fig. 2. Red-slipped bowls and base of beer jar, early Eighteenth Dynasty

<sup>1</sup> Pottery drawings in the field K. Braulińska, J. Ciesielska, S. Gromadzka, M. Korzeniowska and A. Wodzińska; digitizing E. Klimaszewska-Drabot (Figs 2, 3, 4, 6, 7, 9, 10), M. Korzeniowska and A. Wodzińska (Figs 1, 5, 8).

Rims of large storage vessels, so-called “meat jars” known from many New Kingdom settlements, were also found (Rose 2007: 129–130, 274–276, type MF.1.1–4, Nos 594–602) [Fig. 3]. Like the wine amphorae, they were made of Marl D and coated with cream slip.

Bowls made of Nile silt were also represented abundantly. The most characteristic ones seem to be red-slipped and smoothed bowls [Fig. 2:1–3]. Some of them have black painted rims [Fig. 2:2]. A red-slipped carinated bowl from Qantir with black painted rim was dated by D. Aston to the late Second Intermediate Period/early Eighteenth Dynasty (Aston 1998: 86, No. 1), most probably the reign of Tuthmosis III (Aston 2007a: 207–248). Only a few beer jar sherds have been identified. One of them is a base [Fig. 2:4] of a carelessly made jar (Rose 2007: 99–101, type SH.8, see especially page 243, type SH.8.3, No. 410). Ceramic material found in New Kingdom occupation contexts from area 4 can also be dated to the early Eighteenth Dynasty. This assemblage, similar to the material from area 3, consists mostly of bowls made of a sandy Nile silt fabric. They are commonly red slipped and smoothed, with black painted rims similar to the bowl in [Fig. 2:2].

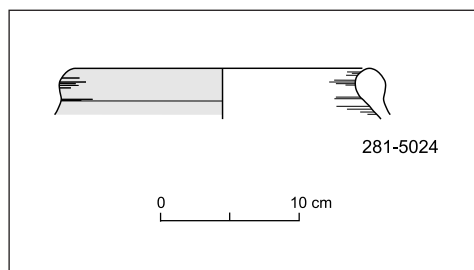


Fig. 3. “Meat jar”, early Eighteenth Dynasty

Two fragments of Cypriot juglets were found: a body sherd from area 3 [Fig. 4:1] and a cylindrical neck in area 4 [Fig. 4:2]. Both pieces are coated with brown slip and polished; their surfaces bear, additionally, simple white painted stripes, and are undoubtedly examples of ‘Base Ring II ware’. The sherds from Tell el-Retaba can probably be dated to the time of Tuthmosis III–Amenhotep II (Merrillees 1968: 175–186).

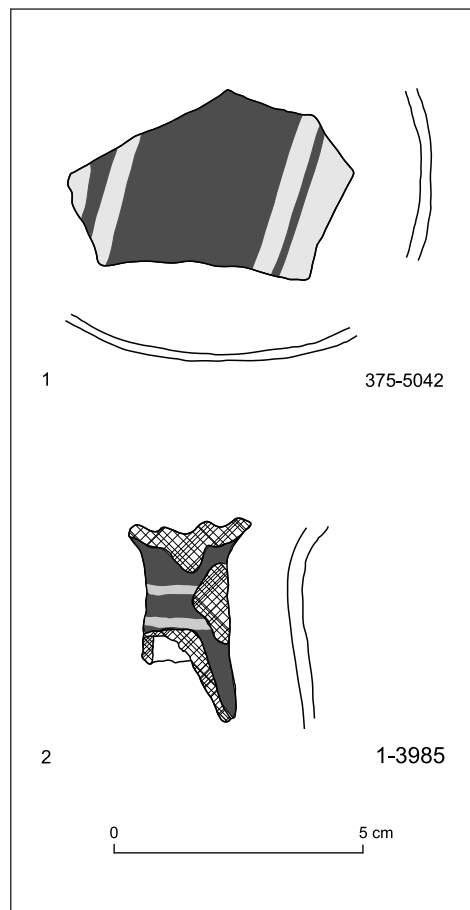


Fig. 4. Fragments of Cypriot juglets, early Eighteenth Dynasty

## NEW KINGDOM: LATE EIGHTEENTH– NINETEENTH DYNASTIES

Pottery from the late Eighteenth and early Nineteenth Dynasties was found in area 4 (in addition to the assemblage from area 1 from the previous season, see Rzepka *et alii* 2009).

Large amphorae [Fig. 5] were used as coffins for infant burials (Górka, Rzepka 2011), four of which were discovered during the clearing of a defense wall in area 4. In order to fit the bodies inside the pots the bases had to be broken off first; all but one are also missing the rim. The cream-slipped and burnished vessels were made of Marl D [Fig. 5:2–3], while the

one uncoated vessel [Fig. 5:1] was made probably of Marl F. The vessels are very similar in shape: ovoid elongated bodies, long, almost cylindrical necks, two small vertical handles on the shoulder. Slender amphorae made of Marl D seem to be characteristic of the later Eighteenth and early Nineteenth Dynasties up to the time of Ramesses II (Aston 2004: 189, Fig. 7c; Bavay *et alii* 2000: 83, 88, Fig. 4; Hope 1989: Fig. 2.4–7; Snape 2000: 20). The amphora of Marl F fits well into post-Merenptah times according to Aston (2004: 196, Fig. 11c).

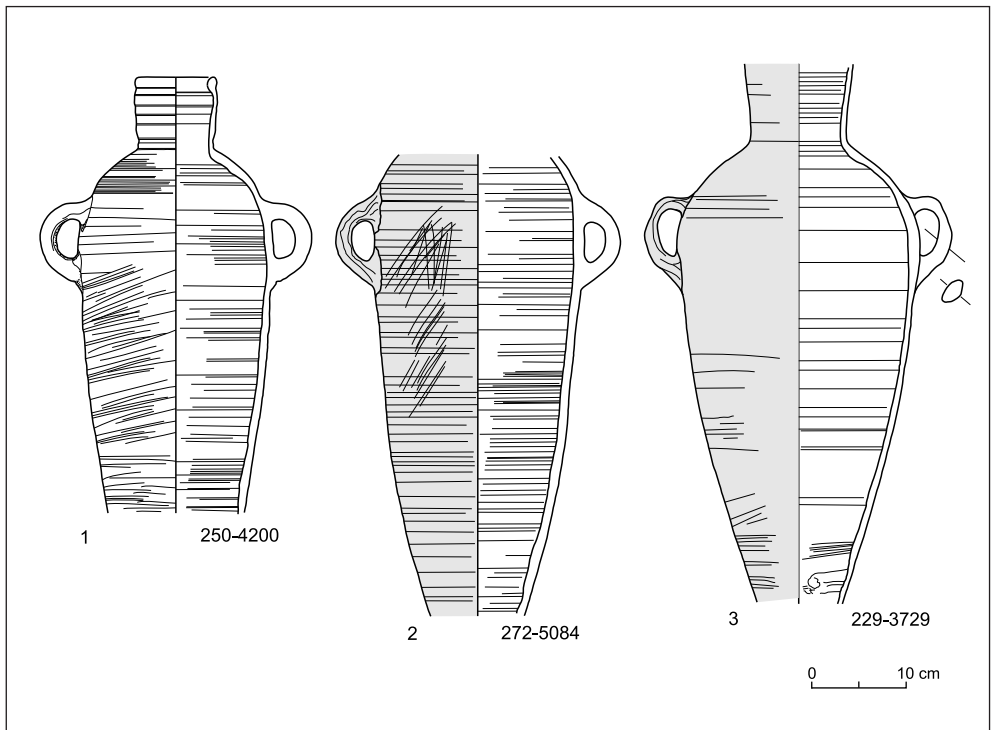


Fig. 5. Wine amphorae, late Eighteenth–Nineteenth Dynasties

## THIRD INTERMEDIATE PERIOD

The most abundant pottery material, found in area 5, dated from the Third Intermediate Period, in particular the Twenty-first and Twenty-second Dynasties. The ceramic assemblage comprises forms similar to those distinguished in the material found in the 2008 season.

Many open forms were present, including the ubiquitous small cups with more or less straight sides and pointed bases, made of sandy Nile B2 fabric [Fig. 6:1]. Cups of this kind were very common in other parts of Egypt: Elephantine (Aston 1999: 166–168, Nos 1548–1556), Memphite region

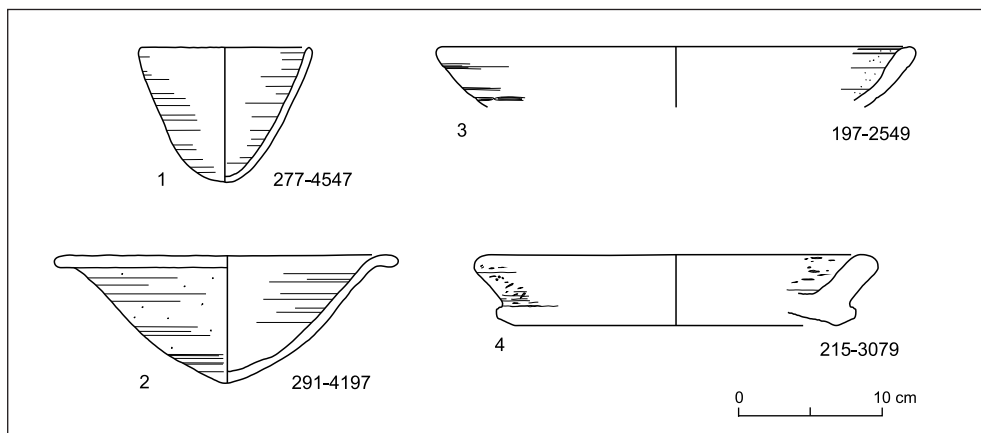


Fig. 6. Bowls, Third Intermediate Period

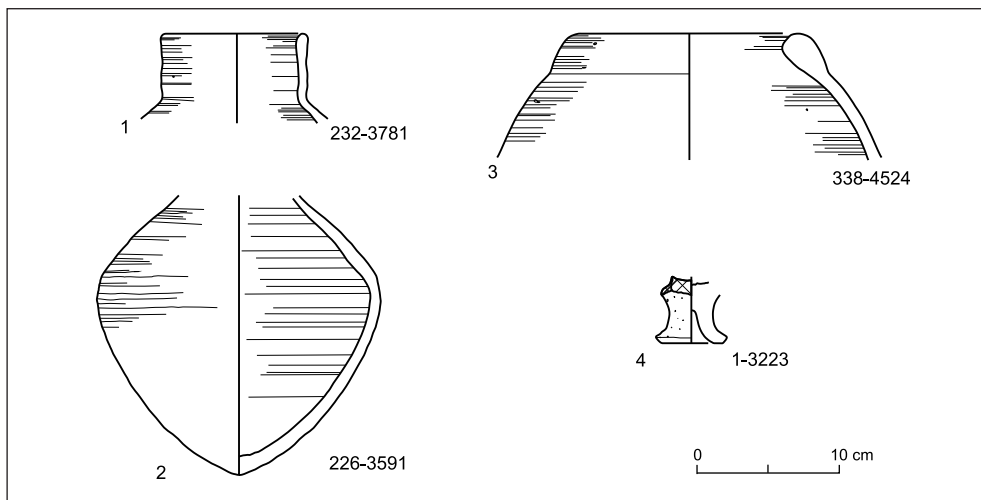


Fig. 7. Closed forms, Third Intermediate Period

(Aston 2007b: Fig. 31, Nos 207–214, and Fig. 42, Nos 446–481), Tanis (Bavay 1998: 319–322, Fig. 32, No. 5, and Fig. 33, No. 20). Uncoated bowls with flaring walls and pointed bases were also very numerous [Fig. 6:2]. Like the small cups, these bowls were made of sandy Nile B2 fabric. Many vessels of this type were found in Memphis (Aston 2007b: Fig. 30, Nos 199–205, also Fig. 41) and Tanis (Bavay 1998: 325, 327, Fig. 36, Nos 61 and 64). Bowls with thickened rims [Fig. 6:3] occurred in great numbers, as well as shallow bread trays [Fig. 6:4] (Rzepka *et alii* 2009: 270, 272, 274, Fig. 30.12–13).

Jars with cylindrical necks and straight rims [Fig. 7:1] were found very frequently in Third Intermediate Period layers. No complete pot of this type was preserved, but it seems that it had a biconical body and pointed base [Fig. 7:2]. These jars, made of sandy Nile B2 fabric, were uncoated. Their external surfaces were often covered with soot. Such vessels were also common in Memphis (Aston 2007b: Figs 45–46), Mendes (Hummel, Shubert 1994: 9, Fig. 3, No. 4) and Tanis (Bavay 1998: 321–322, Fig. 33, No. 18). Jars with incurved thickened rims [Fig. 7:3] constitute another common category of closed vessels. These large hole-

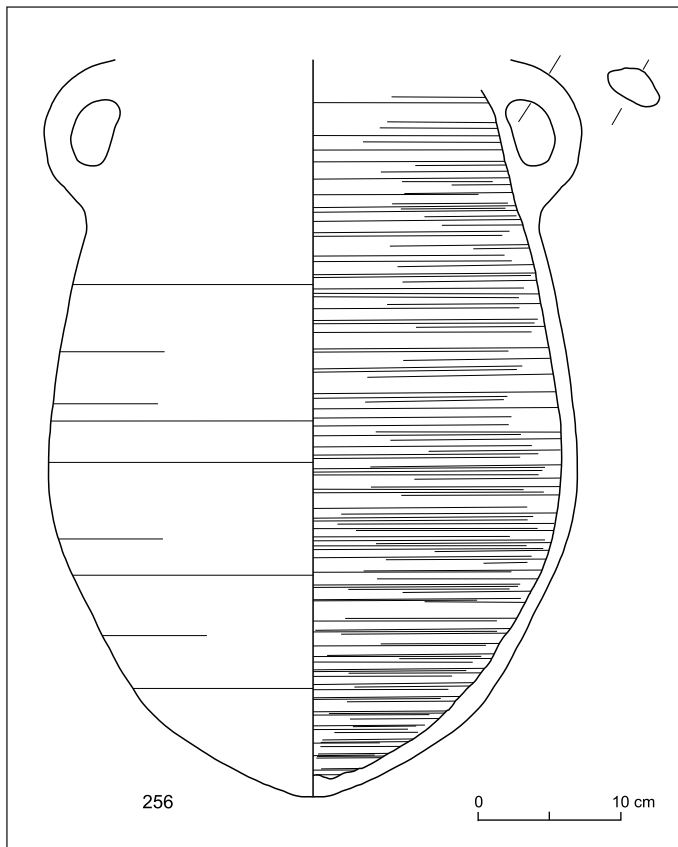


Fig. 8. Storage jar, Third Intermediate Period

mouthered jars are well known from other Third Intermediate Period contexts (Aston 2007b: Fig. 52, Nos 603–610; Bavay 1998: 325–326, Fig. 35, No. 56). Base fragments of unslipped goblets made of Nile B2 fabric were also recovered [Fig. 7:4]. Very good parallels for such goblets can be found

in Memphis in layers dated to the 11th–10th century BC (Aston 2007b: Fig. 44, Nos 514–517).

Two large storage jars were found in their original position. One of them is a bag-shaped closed form with two thick handles placed high on the shoulder [Fig. 8].

## END OF THIRD INTERMEDIATE PERIOD–LATE PERIOD

Pottery from the uppermost excavated strata in areas 3 and 4 dated the architectural remains to the Late Period, especially the Twenty-sixth Dynasty. Some pots found on the surface of the kom in area 4 could be dated to the Twenty-seventh Dynasty. The condition of the remains was very poor, suggesting some possible mixing of the ceramic assemblage with material from the Third Intermediate Period located directly below. Some of the forms, however, occurred only in the uppermost layers and,

as such, seem to be associated more with the late Third Intermediate Period–Late Period.

A rich assemblage of pots seems to be connected with domestic activities. Bowls made of very fine Nile B1 fabrics occurred only in the upper layers [Fig. 9:1]. The burnished surface bears traces of a hard tool. Bowls with folded rims and pointed bases, known already in the Third Intermediate Period, were also common later (Brissaud 1987: Pl. VI, No. 18)

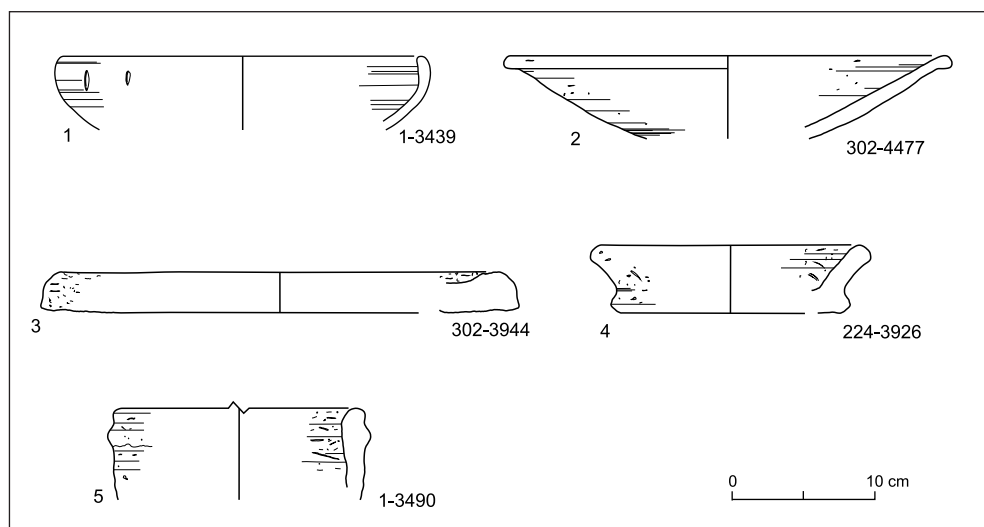


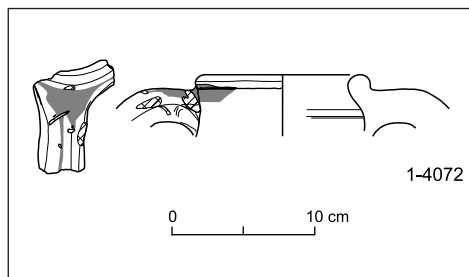
Fig. 9. Pots, end of the Third Intermediate Period–Late Period



[*Fig. 9:2*]. Handmade trays with flat bases, made of Nile C, were probably used for making bread [*Fig. 9:3–4*]. A large bowl made of Nile C had a characteristic ledge below the rim [*Fig. 9:5*]. This type fits well the material coming from the Twenty-sixth Dynasty. Such bowls are also known from Thebes (Defernez 2004: 38, 46, *Fig. 18*), Saqqara (French, Ghaly 1991: 112, *Fig. 55*) and Buto (French 2004: 93–94, 96, *Pl. 1, Type 7*).

Some imports from the Greek islands were also identified; these included a rim fragment of an amphora of Chian production found on the surface in area 4 [*Fig. 10*]. Uncoated amphorae with ‘swollen-necks’ and red-painted rim and

handles can be dated to 500–480 BC (Dupont 1998: 150–151, *Fig. 23.2d*). An example of a similar vessel with a red slipped rim found at Buto has been dated a little earlier, approximately 550–500 BC (Bourriau, French 2007: 120, 130, *Fig. 1.7*).



*Fig. 10. Chian amphora*

## CONCLUSIONS

The rich and diverse pottery assemblage from the 2009 season represented occupation layers from the early Eighteenth Dynasty, beginning of the Nineteenth Dynasty, Third Intermediate Period and Late Period.

New Kingdom ceramics, generally dated to the reigns of Hatshepsut–Tuthmosis III, and later from the time of Ramesses II, perhaps even Seti I and later Ramesses III, might have been connected with the presence of the Egyptian army, units, which would have been located in strategic points of the Delta.

The occupation layer of the Third Intermediate Period appears to be thick, covering most of the kom. The ceramic assemblage from the houses represents domestic activities, such as storage, preparation, cooking, and serving of food. There is also pottery evidence for occupation in the Late Period, but the architecture of this phase is not well preserved.

Imported pottery fragments — from Cyprus, probably Syro-Palestine, and later also from the Greek islands — are proof of the international contacts of the inhabitants of Tell el-Retaba.

Dr. Anna Wodzińska  
 Institute of Archaeology, University of Warsaw  
 00-927 Warsaw, Poland  
 ul. Krakowskie Przedmieście 26/28  
 aniawodzinska@yahoo.com

## REFERENCES

- Aston, D.A.
- 1998 *Die Keramik des Grabungsplatzes Q 1, I. Corpus of Fabrics, Wares and Shapes* [=Die Grabungen des Pelizaeus-Museums Hildesheim in Qantir-Piramesse 1], Mainz am Rhein: Philipp von Zabern
- 1999 *Elephantine XIX. Pottery from Late New Kingdom to the Early Ptolemaic Period* [=AV 95], Mainz am Rhein: Philipp von Zabern
- 2004 Amphorae in New Kingdom Egypt, *Ägypten und Levante* 14, 175–213
- 2007a Kom Rabia, Ezbet Helmi, and Saqqara NK 3507. A study in cross-dating [in:] M. Bietak, E. Czerny (eds), *The Synchronisation of Civilisations in the Eastern Mediterranean in the Second Millennium B.C. III. Proceedings of the SCIE M 2000 – 2nd Euro Conference Vienna, 28th of May – 1st of June 2003* [=Denkschrift der Gesamtkademie 37; Contributions to the Chronology of the Eastern Mediterranean 9], Vienna: Österreichischen Akademie der Wissenschaften, 207–248
- 2007b Pottery of the twelfth to seventh centuries BC [in:] D.A. Aston, D.G. Jeffreys, *The Survey of Memphis III. Excavations at Kom Rabia (site RAT). Post-Ramesseid Levels and Pottery* [=EES Excavation Memoir 81], London: Egypt Exploration Society, 17–59
- Bavay, L.
- 1998 La céramique dans le secteur du parvis de la porte monumentale [in:] P. Brissaud, C. Zivie-Coche (eds), *Tanis: travaux récents sur le Tell Sân el-Hagar. Mission française des fouilles de Tanis*, Paris: Éditions Noësis, 316–332
- Bavay, L., Marchand, S., Tallet, P. [=Bavay et alii 2000]
- 2000 Les jarres inscrites du Nouvel Empire provenant de Deir al-Médina, *CCE* 6, 77–90
- Bourriau, J., French, P.
- 2007 Imported amphorae from Buto dating from c. 750 BC to the early 6th century AD, *CCE* 8/1, 115–133
- Brissaud, P.
- 1987 Répertoire préliminaire de la poterie trouvée à San el-Hagar (1<sup>er</sup> partie), *CCE* 1, 77–79
- Defernez, C.
- 2004 Karnak. La chapelle d'Osiris Ounnefer Neb-Djefaou, *BCE* 22, 35–47
- Dupont, P.
- 1998 Archaic East Greek trade amphoras [in:] R.M. Cook, P. Dupont, *East Greek Pottery*, London–New York: Routledge, 142–190
- French, P.
- 2004 Distinctive pottery from the second half of the 6th century B.C., *CCE* 7, 91–97
- French, P., Ghaly, H.
- 1991 Pottery chiefly of the Late Dynastic Period, from excavations by the Egyptian Antiquities Organization at Saqqara, 1987, *CCE* 2, 93–124
- Górka, K., Rzepka, S.
- 2011 Infant burials or infant sacrifices? New discoveries from Tell el-Retaba, *MDAIK* 67, 99–107

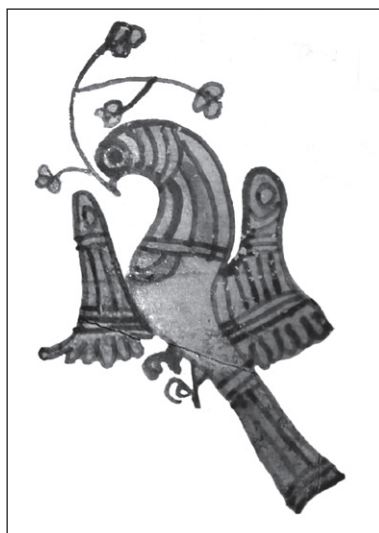
- Hope, C.A.  
1989 Amphorae of the New Kingdom [in:] C.A. Hope (ed.), *Pottery of the Egyptian New Kingdom. Three Studies*, Burwood: Victoria College Press, 87–118
- Hummel, R., Shubert, S.B.  
1994 Preliminary report of the 1992 season at Mendes: The pottery of the “Landfill”, *BCE* 18, 5–11
- Merrillees, R.S.  
1968 *The Cypriote Bronze Age Pottery Found in Egypt* [= *Studies in Mediterranean Archaeology* 18], Lund: Sölvegatan
- Rose, P.J.  
2007 *The Eighteenth Dynasty Pottery Corpus from Amarna* [= *EES Excavation Memoir* 83], London: Egypt Exploration Society
- Rzepka, S., Hudec, J., with appendix by C. Malleson  
2012 Tell el-Retaba: season 2009, *PAM* 21 (*Reports* 2009), 107–123
- Rzepka, S., Wodzińska, A., Hudec, J., Herbich, T. [=Rzepka *et alii* 2009]  
2009 Tell el Retaba 2007–2008, *Ägypten und Levante* 19, 241–280
- Snape, S.  
2000 Imported pottery at Zawiyet Umm el-Rakham. Preliminary report, *BCE* 21, 17–22

POLISH CENTRE OF MEDITERRANEAN ARCHAEOLOGY  
UNIVERSITY OF WARSAW

POLISH ARCHAEOLOGY  
IN THE MEDITERRANEAN

XXI

RESEARCH 2009



---

## CONTENTS

---

## CONTENTS

ACKNOWLEDGMENTS ..... 11

### OBITUARIES

*Aleksandra Krzyżanowska* ..... 13

ABBREVIATIONS AND STANDARD REFERENCES ..... 15

## PAM REPORTS

PCMA FIELD MISSIONS AND PROJECTS IN 2009 (WITH MAP) ..... 19

### EGYPT

#### ALEXANDRIA

ALEXANDRIA KOM EL-DIKKA: EXCAVATIONS AND PRESERVATION WORK.  
PRELIMINARY REPORT 2008/2009

*Grzegorz Majcherek* ..... 27

APPENDIX: AUDITORIUM E: EXPLORATION IN SEASON 2009

*Karol Juchniewicz, Katarzyna Lach* ... 43

KOM EL-DIKKA 2005–2009: SELECTED ANTHROPOLOGICAL RESEARCH

*Robert Mahler* ..... 49

#### MAREA

MAREA. REPORT 2009

*Hanna Szymańska, Krzysztof Babraj* ..... 59

MAREA 2009: POTTERY FROM THE EXCAVATIONS

*Anna Drzymuchowska* ..... 72

#### MARINA EL-ALAMEIN

MARINA EL-ALAMEIN. CONSERVATION WORK IN THE 2009 SEASON

*Stanisław Medeksza, Rafał Czerner, Grażyna Bąkowska with contributions by I. Fuks-Rembisz, W. Grzegorek, G. Majcherek, M. Mrozek-Wysocka, P. Zambrzycki* ..... 79

## CONTENTS

---

### TELL EL-RETABA

TELL EL-RETABA: SEASON 2009

*Stawomir Rzepka, Jozef Hudec* ..... 107

APPENDIX: TELL EL-RETABA: ARCHAEOBOTANICAL STUDIES

*Claire Malleson* ..... 118

TELL EL-RETABA 2009: THE POTTERY

*Anna Wodzińska* ..... 124

### TELL EL-FARKHA

TELL EL-FARKHA (GHAZALA). SEASON 2009

*Marek Chłodnicki, Krzysztof M. Ciałowicz* ..... 135

### SAQQARA

SAQQARA 2008–2009

*Karol Mysliwiec* ..... 157

APPENDIX: CONSERVATION WORK IN SAQQARA (2008–2009)

*Zbigniew Godziejewski* ..... 167

SAQQARA 2008–2009: THE POTTERY

*Teodozja I. Rzeuska* ..... 175

### NAQLUN

NAQLUN (NEKLONI) EXCAVATIONS IN 2008–2009

*Włodzimierz Godlewski* ..... 193

APPENDIX: NAQLUN 2008: ARCHAEOBOTANICAL STUDIES

*Jarosław Zieliński* ..... 210

REFUSE DUMP IN SECTOR B IN NAQLUN: EXCAVATION REPORT 2008–2009

*Tomasz Derda, Dorota Dzierzbicka* ..... 212

POTTERY FROM THE REFUSE DUMP UNDER UNIT B.26 IN NAQLUN

*Katarzyna Danys-Lasek* ..... 222

TWO BURIALS FROM CEMETERY A IN NAQLUN: ARCHAEOLOGICAL  
AND ANTHROPOLOGICAL REMARKS

*Dorota Dzierzbicka, Marzena Ożarek* ..... 233

ON THE COLLECTION OF WOODEN FINDS FROM NAQLUN AGAIN

*Jarosław Zieliński, Iwona Zych* ..... 244

### DEIR EL-BAHARI

CONSERVATION WORK IN THE HATSHEPSUT TEMPLE IN DEIR EL-BAHARI (2009)

*Rajmund Gazda* ..... 251

SANDSTONE SPHINXES OF QUEEN HATSHEPSUT FROM DEIR EL-BAHARI:

PRELIMINARY REMARKS

*Agata Smilgin* ..... 255

## CONTENTS

---

TEMPLE OF TUTHMOSIS III IN DEIR EL-BAHARI IN 2008 AND 2009: WORK IN THE STORES AND FIELD <i>Monika Dolińska</i> .....	261
THE TEMPLE OF TUTHMOSIS I REDISCOVERED <i>Jadwiga Iwaszczuk</i> .....	269
DAKHLEH OASIS	
DAKHLEH OASIS PROJECT. PETROGLYPH UNIT: ROCK ART RESEARCH, 2009 <i>Ewa Kuciewicz, Michał Kobusiewicz</i> .....	279
SUDAN	
OLD DONGOLA	
DONGOLA 2008–2009 <i>Włodzimierz Godlewski</i> .....	289
APPENDIX: CONSERVATION OF WALL PAINTINGS INSIDE THE FORMER THRONE HALL OF THE MAKURIAN KINGS IN DONGOLA (2009 SEASON) <i>Cristobal Calaforna-Rzepka</i> .....	312
DONGOLA 2009: POTTERY FROM BUILDING I (KOM A) <i>Katarzyna Danys-Lasek</i> .....	315
WALL INSCRIPTIONS IN A BURIAL VAULT UNDER THE NORTHWEST ANNEX OF THE MONASTERY ON KOM H (DONGOLA 2009) <i>Adam Łajtar, Jacques van der Vliet</i> .....	330
CRYPTS 1 AND 2 IN THE NORTHWEST ANNEX OF THE MONASTERY ON KOM H IN DONGOLA: REPORT ON THE EXPLORATION IN 2009 <i>Włodzimierz Godlewski, Robert Mahler, Barbara Czaja-Szewczak</i> .....	338
EL-ZUMA	
THE POTTERY FROM FOUR TUMULI GRAVES IN EL-ZUMA (2009) <i>Edyta Klimaszewska-Drabot, Ewa Czyżewska</i> .....	361
FOURTH CATARACT	
RESEARCH IN THE PCMA UW CONCESSION ON THE FOURTH CATARACT (HAMDAB DAM RESCUE PROJECT). INTERIM REPORT 2009 <i>Marek Chłodnicki</i> .....	377
ROCK ART RESEARCH IN THE FOURTH CATARACT REGION, SEASON 2009 <i>Ewa Kuciewicz, Andrzej Rozwadowski</i> .....	387
EXCAVATIONS IN 2009 IN THE ENVIRONS OF EL-AR VILLAGE (FOURTH CATARACT REGION, SUDAN) <i>Anna Longa</i> .....	393
EL-AR 31: EXCAVATIONS OF LATE/POST-MEROITIC TUMULI. PRELIMINARY REPORT <i>Artur Buszek, Michał Kurzyk</i> .....	399

---

## CONTENTS

---

### CYPRUS

#### NEA PAPHOS

NEA PAPHOS. SEASON 2009

*Henryk Meyza in cooperation with Wiktor Andrzej Daszewski, Aleksandra Brzozowska, Joanna Michalska, Joanna K. Rądkowska, and Monika Więch*..... 407

### LEBANON

#### JIYEH

PRELIMINARY REPORT ON THE 2008 AND 2009 EXCAVATION SEASONS AT JIYEH (PORPHYREON)

*Tomasz Waliszewski, Karol Juchniewicz, Mariusz Gwiazda* ..... 423

APPENDIX 1. SUNKEN VESSELS IN LATE ROMAN AND BYZANTINE HOUSES IN AREA D

*Mariusz Gwiazda* ..... 439

APPENDIX 2. PRELIMINARY REMARKS ON THRESHOLDS FROM PRIVATE HOUSES IN JIYEH (PORPHYREON)

*Mariusz Gwiazda* ..... 441

LOCAL HELLENISTIC 'PHOENICIAN'-TYPE AMPHORA AND OTHER POTTERY VESSELS FROM EXCAVATIONS IN JIYEH (PORPHYREON) (SEASONS 2008–2009)

*Urszula Wicenciak* ..... 446

GROUND AND AERIAL PHOTOGRAMMETRIC DOCUMENTATION IN JIYEH (PORPHYREON)

*Miron Bogacki* ..... 454

### SYRIA

#### PALMYRA

POLISH ARCHAEOLOGICAL MISSION TO PALMYRA. SEASONS 2008 AND 2009

*Grzegorz Majcherek* ..... 459

#### HAWARTE

EXCAVATIONS IN HAWARTE 2008–2009

*Michał Gawlikowski* ..... 481

GLASS FINDS FROM THE MITHRAEUM IN HAWARTE

*Krzyszyna Gawlikowska* ..... 496

#### TELL ARBID

TELL ARBID 2008–2009. PRELIMINARY REPORT ON THE RESULTS OF THE THIRTEENTH AND FOURTEENTH SEASONS OF POLISH-SYRIAN EXCAVATIONS

*Piotr Bieliński* ..... 511



## CONTENTS

---

ADAM MICKIEWICZ UNIVERSITY EXCAVATIONS IN SECTOR P AT TELL ARBID (SPRING 2009) <i>Rafał Koliński</i> .....	537
TELL QARAMEL	
TELL QARAMEL: EXCAVATIONS 2009 <i>Ryszard F. Mazurowski</i> .....	559
<b>PAM STUDIES</b>	
ADULT BURIALS OF NINEVITE 5 DATE ON TELL ARBID (2007–2008) <i>Dariusz Szelaĝ</i> .....	585
CHARIOT TERRACOTTA MODELS FROM TELL ARBID <i>Mattia Raccidi</i> .....	605
NEW PROTODYNASTIC <i>SEREKHS</i> FROM THE NILE DELTA: THE CASE OF FINDS FROM TELL EL-FARKHA <i>Mariusz A. Jucha</i> .....	625
<i>PITHOS</i> -TYPE VESSELS FROM CHHÎM: PRELIMINARY ASSESSMENT OF FINDS FROM 1996–2009 <i>Zofia Kowarska, Szymon Lenarczyk</i> .....	643
BUILDINGS ON SITE B AT NAQLUN (NEKLONI) <i>Szymon Maślak</i> .....	653
ZOOARCHAEOLOGICAL ANALYSIS OF MATERIAL FROM CISTERNS STR 1/96–97 AND HA/NEH 2.16.3 IN NEA PAPHOS <i>Ewelina Tepe</i> .....	677
ANIMAL BONE REMAINS FROM SHEIKH ABD EL-GURNA: ISSUES AND OPPORTUNITIES <i>Urszula Iwaszczuk</i> .....	691
ANIMALS IN ROCK ART. RESULTS OF ARCHAEOZOOLOGICAL RESEARCH AT THE SITE OF EL-GAMAMIYA 67 (FOURTH CATARACT, SUDAN) <i>Marta Osypińska</i> .....	703
INDEX OF SITES .....	715
GUIDELINES FOR AUTHORS .....	716